



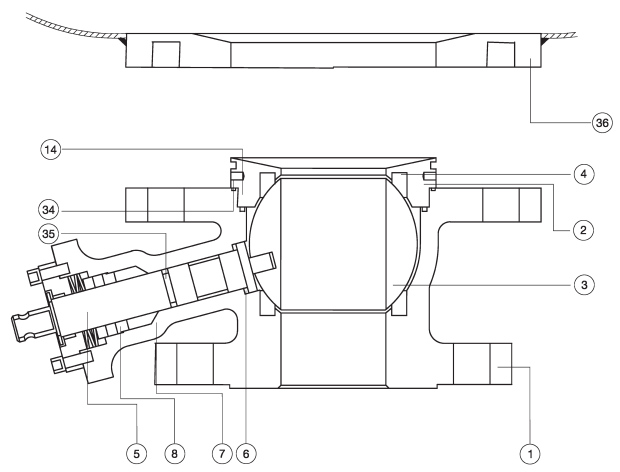
Tank bottom valve with inclined stem



Design advantages

- Minimal distance between the ball and the tank bottom.
- Inclined stem design eases the assembly of operating and ancillary elements.
- Can be supplied with heating jacket.
- Special materials upon request.
- Can be supplied with fire safe feature.
- Can be supplied with metal seat (high temperature & abrasive fluid service).

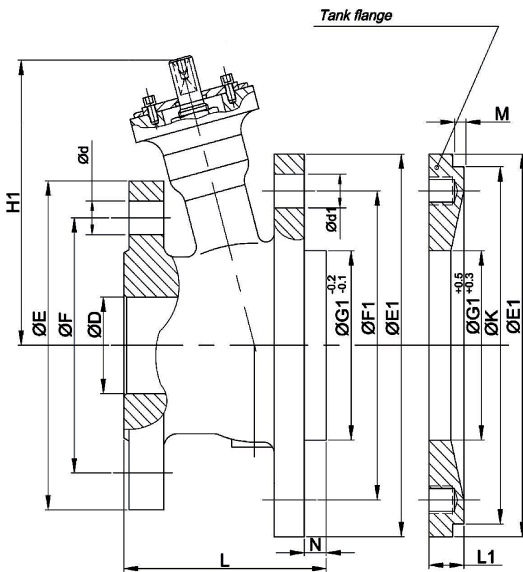
Standard construction materials



ITEM	DESCRIPTION	QTY.	FIG. ZI56TTV-PN16	FIG. ZMSI56CGGG-PN16
1	Body	1	1.4408	1.4408
2	Insert	1	1.4401	1.4401
3	Ball	1	1.4408	1.4408 + Cr. Carbide
4	Metal Seat	2	PTFE+GF	1.4401 + Cr. Carbide
5	Stem	1	1.4401	XM-19
6	Stem seal	1	PTFE+GF	PTFE + CG
7	Stem packing	1	PTFE	PTFE + CG
8	Gland packing	1	1.4401	1.4401
14	Body Seal 1	1	PTFE	GRAPHITE
34	Body Seal	1	FKM	GRAPHITE
35	O'ring stem	1	1.4401	-
36	Tank Flange	1	1.4401	1.4401

Dimensions

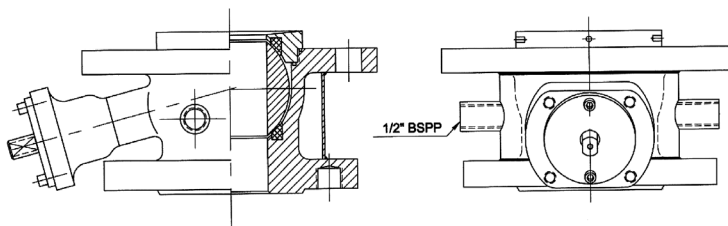
DN=D	Standard	E	F	n x d	L	N	E ₁	F ₁	G ₁	n x d	H ₁	M	L ₁	K
40	Pekos Design	150	110	4/8 x 18/18	116	20	185	145	104	18	136	3	25	180
50	DIN 28140	165	125	4/8 x 18/18	111	15	200	160	94	18	141	3	25	195
65	Pekos Design	185	145	4/8 x 18/18	133	20	220	180	124	18	151	3	25	215
80	DIN 28140	200	160	8/8 x 18/18	144	25	220	180	129	18	179	3	30	245
100	DIN 28140	220	180	8/8 x 18/22	169	25	285	240	179	22	192	3	30	280
125	Pekos Design	250	210	8/12 x 18/22	259	30	340	295	215	22	239	5	35	332
150	DIN 28140	285	240	8/12 x 22/22	282	30	340	295	233	22	257	5	35	387
200	DIN 28140	340	295	8/12 x 22/22	330	50	395	450	278	22	348	5	55	387
250	DIN 28140	395	350	12/12 x 22/22	390	50	445	400	328	22	374	5	55	437



Automation Values

DN=D	FLANGE to TANK	Z156TTTW - PN16		ZMS156CGGG - PN16		ISO 5211
		TORQUE (Nm)	MAST (1.4401)	TORQUE (Nm)	MAST (XM-19)	
40	DN 65	31	250	61	464	F07
50	DN 80	46	250	96	464	F07
65	DN 100	55	250	116	464	F07
80	DN 125	85	522	170	968	F10
100	DN 150	110	522	210	968	F10
125	DN 200	240	1073	463	1989	F12
150	DN 250	380	1073	740	1989	F12
200	DN 250	500	2544	1055	4716	F14
250	DN 300	890	2544	1670	4716	F14

With heating jacket



With Actuator + Limit Switch Assembly

