

MATERIALS OF CONSTRUCTION

ENCLOSURE – ALUMINIUM GrD LM6 (< 6% Mg)
 DRIVE SHAFT – STAINLESS STEEL
 FASTENERS – STAINLESS STEEL
 BEARINGS – HIGH DUTY ACETAL
 SEALS – SILICONE
 FINISH – BLUE POLYESTER (INSIDE AND OUT)
 MICROSWITCHES – 2 S.P.D.T. GOLD CONTACTS
 SWITCH CAMS – SPLINE DRIVEN "Kwiklok" SYSTEM
 TERMINAL STRIPS – HIGH GRADE MELAMINE
 MOUNTING AND DRIVE FORMAT – VDI/VDE 3845 F05
 INGRESS PROTECTION – IP67 DUST PROOF, WATER PROOF
 COMPLIANT WITH EC LOW VOLTAGE DIRECTIVE 2006/95/EC
 SUITABLE FOR BOTH LOW AND HIGH DEMAND SCENARIO
 APPLICATIONS AT SIL 1 AND SIL 2 OF IEC 61508:2010

CERTIFICATION CATEGORY – Ex ia IIC 2 GD
 CERTIFIED – Ex ia IIC T6 Gb
 Ex tb IIIC T85°C Db IP6X ($-20^{\circ}\text{C} \leq T_a \leq +70^{\circ}\text{C}$)
 TYPE: SM020D-IEC
 CERTIFICATES – Baseefa 03 ATEX 0336, IECEx BAS 10.0088

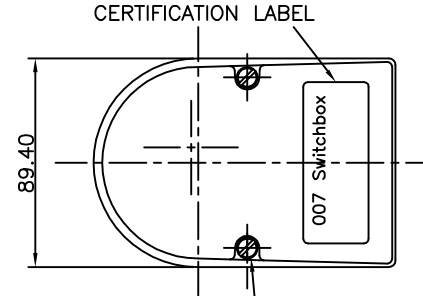
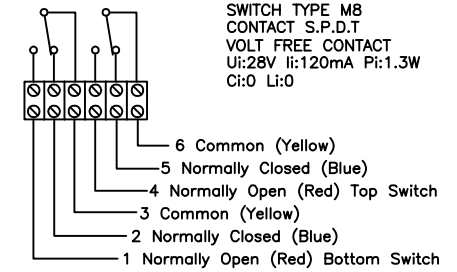
FAILURE TO PROVIDE THE ANNUNCIATED FUNCTION

	LOW DEMAND				HIGH DEMAND	
	SFF%	F rate/hr	PFD*	SIL	F rate pa	SIL
M2 CLOSED(FAIL TO OPEN)	72	0.0059 10E-6	2.6 10E-5	2	5.2 10E-5	2
M2 OPEN(FAIL TO CLOSE)	23	0.017 10E-6	7.4 10E-5	1	1.5 10E-4	1

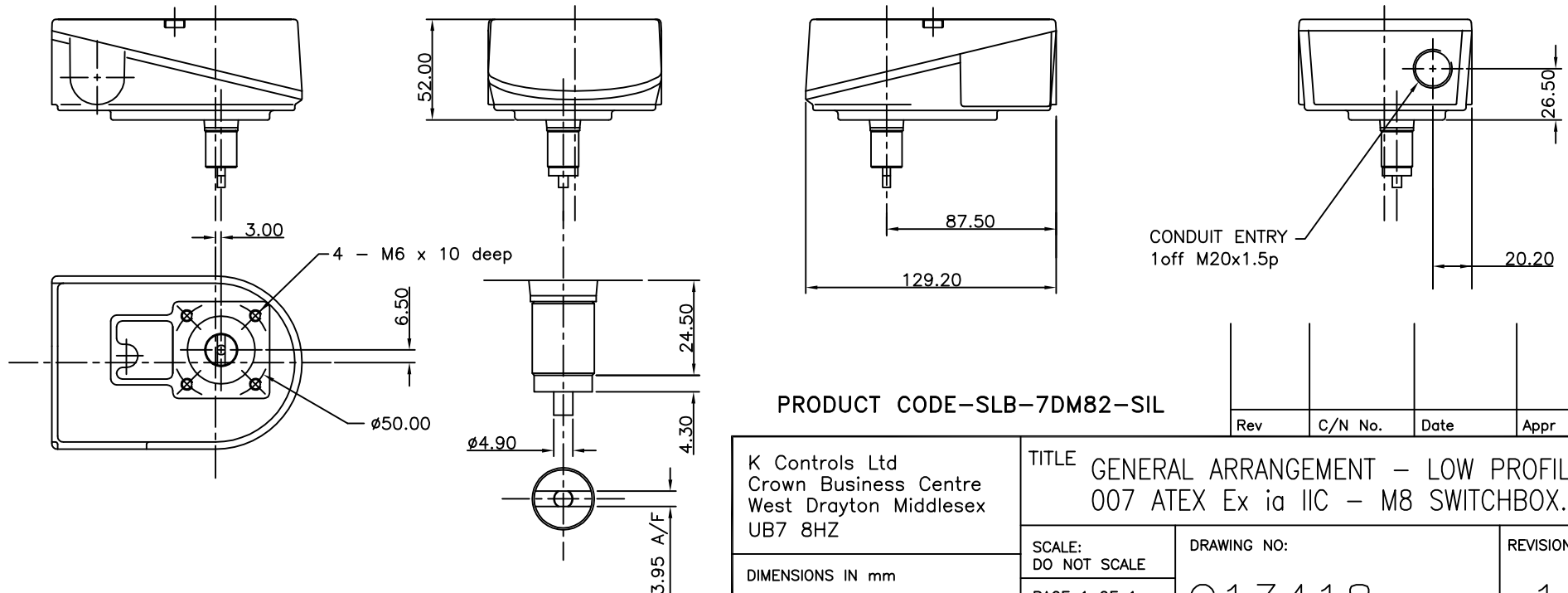
SPURIOUS ANNUNCIATION

	F rate pa
M2 CLOSED(SPURIOUSLY OPENS)	1.3 10E-4
M2 OPEN(SPURIOUSLY CLOSES)	4.4 10E-5

TERMINATION DETAILS.



2 - M5 COVER RETAINING SCREWS



PRODUCT CODE – SLB-7DM82-SIL

Rev	C/N No.	Date	Appr

K Controls Ltd Crown Business Centre West Drayton Middlesex UB7 8HZ	TITLE GENERAL ARRANGEMENT – LOW PROFILE 007 ATEX Ex ia IIC – M8 SWITCHBOX.		
	SCALE: DO NOT SCALE	DRAWING NO: C13418	REVISION 1
	PAGE 1 OF 1	DATE 03.06.15	
	DRAWN BEP	APPR MOD	

THIS DRAWING IS THE PROPERTY OF K CONTROLS LTD. AND IS ONLY ISSUED ON THE CONDITION THAT NO COPY IS TAKEN OR REPRODUCTION OR DISCLOSURE TO A THIRD PARTY EITHER WHOLLY OR IN PART IS MADE WITHOUT THE WRITTEN CONSENT OF K CONTROLS LTD.

CONTROLLED COPY
UNCONTROLLED