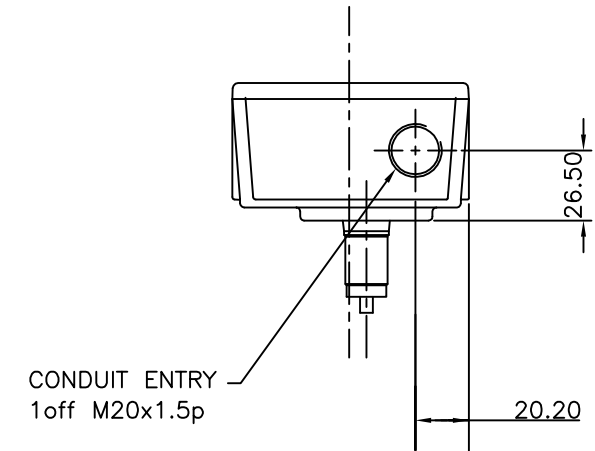
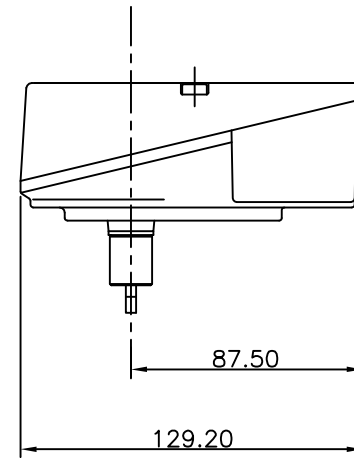
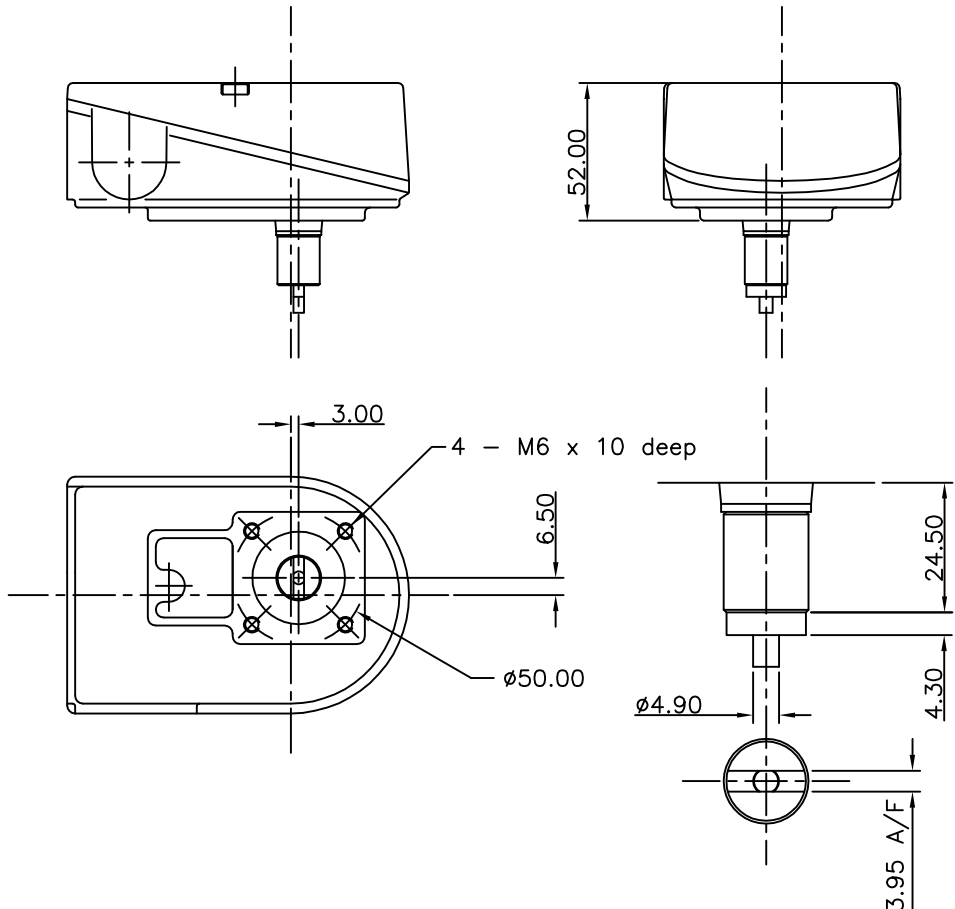
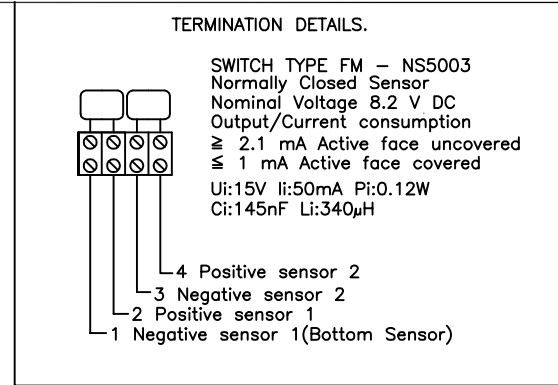
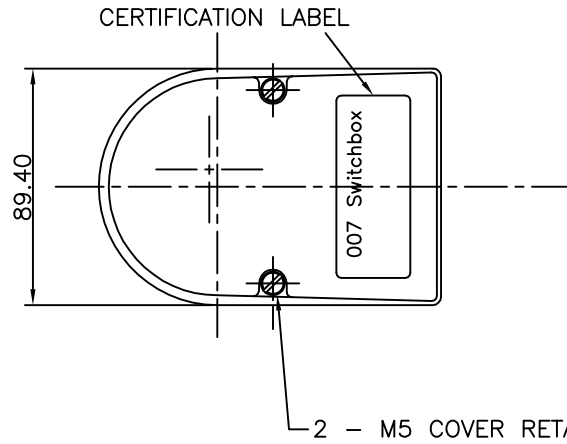


**MATERIALS OF CONSTRUCTION**

- ENCLOSURE – ALUMINIUM GrD LM6 (< 6% Mg)
- DRIVE SHAFT – STAINLESS STEEL
- FASTENERS – STAINLESS STEEL
- BEARINGS – HIGH DUTY ACETAL
- SEALS – SILICONE
- FINISH – BLUE POLYESTER (INSIDE AND OUT)
- PROXIMITY SENSORS – 2 IFM NS5003
- SWITCH CAMS – SPLINE DRIVEN "Kwiklok" SYSTEM
- TERMINAL STRIPS – HIGH GRADE MELAMINE
- MOUNTING AND DRIVE FORMAT – VDI/VDE 3845 F05
- INGRESS PROTECTION – IP67 DUST PROOF, WATER PROOF
- ATEX CERTIFICATE – Baseefa 03 ATEX 0336 , TYPE: SF020D

- ⊗ II 2 GD Ex ia IIC T6 Gb
- ⊗ II 2 GD Ex tb IIIC T85°C Db IP6X (-20°C ≤ Ta ≤ 70°C)



**PRODUCT CODE-SLZ-02070**

Rev	C/N No.	Date	Appr

K Controls Ltd Crown Business Centre West Drayton Middlesex UB7 8HZ	TITLE GENERAL ARRANGEMENT – LOW PROFILE 007 ATEX Ex ia IIC – 2 x NS5003		
	SCALE: DO NOT SCALE	DRAWING NO:	REVISION
	PAGE 1 OF 1	C12281	1
	DATE 15.03.13		

THIS DRAWING IS THE PROPERTY OF K CONTROLS LTD. AND IS ONLY ISSUED ON THE CONDITION THAT NO COPY IS TAKEN OR REPRODUCTION OR DISCLOSURE TO A THIRD PARTY EITHER WHOLLY OR IN PART IS MADE WITHOUT THE WRITTEN CONSENT OF K CONTROLS LTD.

CONTROLLED COPY  
UNCONTROLLED

DRAWN *MOD* APPR *BEP*