



AIR TORQUE

AIR TORQUE S.p.A.

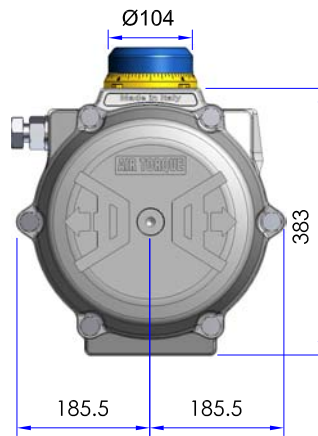
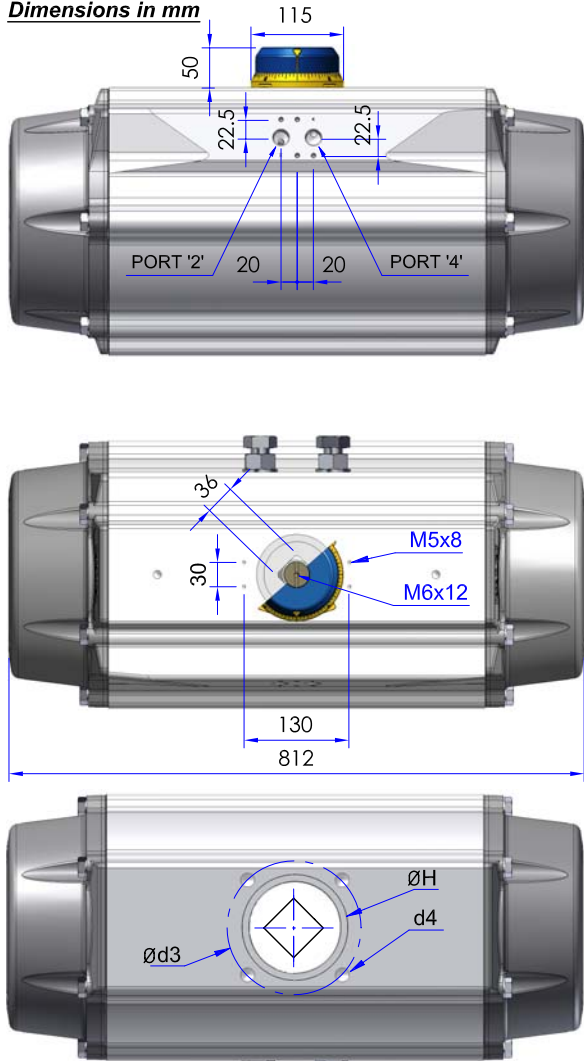
via Alla Campagna, N° 1
24060 Costa di Mezzate (Bg) Italy
Tel.: +39 035 682299
Fax: +39 035 687791
E-mail: info@airtorque.it



Model AT751 U D/S - 90°

TDS n° **AT751U-DM**
Issued on: 10/09 - Page 1/1

Dimensions in mm

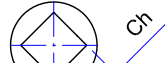


Optional Square:

"L"
Single Parallel square



"D"
Single Diagonal square

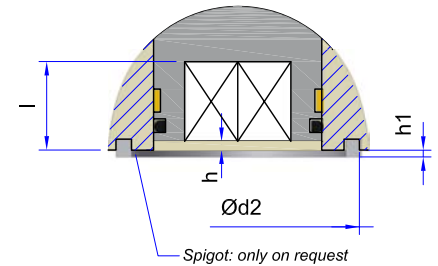


"DS"
Double square



ISO 5211 Flange Dimensions

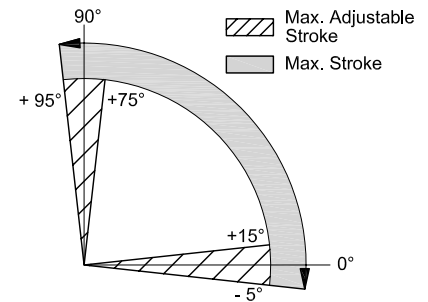
ISO 5211	STD		OPTIONAL	
	F16	F14	F16 + F25	
Ø d2	130	NA	130(F16) or 200 (F25)	
Ø d3	165	140	165	254
d4	M20x30	M16x24	M20x30	M16x24
Ø H	130	120	130	200
Ch x l min.	55x57			
DS	46x49 - 55x59			
h min.	2,5	2,5	2,5	2,5
h1	4	NA	4	4



Connection / Attachment

Pressure connection: Port 2 and 4	G1/2"
Ancillary Attachment	AA 4

Rotation and stroke adjustment



Output Torque

Pressure	OUTPUT TORQUE FOR DOUBLE ACTING IN Nm												APPROX. WEIGHT (Kg) (c)
	2,5 bar 0° 90°	3 bar 0° 90°	3,5 bar 0° 90°	4 bar 0° 90°	4,2 bar 0° 90°	4,5 bar 0° 90°	5 bar 0° 90°	5,5 bar 0° 90°	6 bar 0° 90°	7 bar 0° 90°	8 bar 0° 90°		
D	1795	2154	2513	2872	3015	3231	3590	3949	4308	5026	5744	118	

Pressure	OUTPUT TORQUE FOR SPRING RETURN IN Nm												Spring stroke 90° 0°	APPROX. WEIGHT (Kg) (c)			
	2,5 bar 0° 90°	3 bar 0° 90°	3,5 bar 0° 90°	4 bar 0° 90°	4,2 bar 0° 90°	4,5 bar 0° 90°	5 bar 0° 90°	5,5 bar 0° 90°	6 bar 0° 90°	7 bar 0° 90°	8 bar 0° 90°						
Spring Set	Start End	Start End	Start End	Start End	Start End	Start End	Start End	Start End	Start End	Start End	Start End	Start End	Start End	Start End	Start End	Start End	
S 05	1064 703	1423 1062	1782 1421	2141 1780	2284 1924	2500 2139	2859 2498									1092 731	131
S 06	918 485	1277 844	1636 1203	1995 1562	2138 1706	2354 1921	2713 2280	3072 2639								1310 877	134
S 07		1131 626	1489 985	1848 1344	1992 1487	2207 1703	2566 2062	2925 2421	3284 2780							1528 1023	137
S 08			1343 766	1702 1125	1846 1269	2061 1484	2420 1843	2779 2202	3138 2561	3856 3279						1746 1170	139
S 09				1556 907	1700 1051	1915 1266	2274 1625	2633 1984	2992 2343	3710 3061	4428 3779					1965 1316	142
S 10						1769 1048	2128 1407	2487 1766	2846 2125	3564 2843	4282 3560					2183 1462	145
S 11							1982 1188	2341 1547	2700 1906	3418 2624	4135 3342					2401 1608	147
S 12								2194 1329	2553 1688	3271 2406	3989 3124					2620 1754	150

Technical Data

Max. Pressure	Rotation	Screw stroke Adjustment	Chamber Ø (mm)	Air Volume (L)		Moving Time (Sec.) (A)	
				Opening	Closing	Opening	Closing
8 bar	0° - 90°	For 1° adj. need 1/6 Turn	300	20	33	D 5,0 S 6,0	D 6,0 S 7,0

Operating Temperature Range

ST (standard)	Operating Temperature (°C) (B)	
	HT (high temperature)	LLT (extreme low temperature)
-40 to +80	-15 to +150	-55 to +80

A) - The above indicated moving time of the actuator is obtained in the following test conditions: (1) Room Temperature, (2) Actuator Stroke 90°, (3) Solenoid Valve with Orifice of 11 mm and a flow capacity Qn 6000 L/min., (4) Inside pipe diameter 11 mm, (5) Medium clean air, (6) Air supply pressure 5,5 bar (79,75 Psi), (7) Actuator without external resistance load. **Caution: obviously on the field applications when one or more of the above parameters are different, the moving time will be different.**

Operating Medium:

The operating medium must be free of dust and oil. The maximum particle size must not exceed 30µ (ISO 8573 Part1, Class5). In order to prevent water condensation and/or solidification (ice when actuator works below 0°C), the operating medium must have a dew point equal to -20°C or at least 10°C below the ambient temperature (ISO 8573 Part1, Class3).

B) - Every temperature range option requires proper components and lubricant. See technical data-sheet N° T.D.S. U00501E.

C) - For actuator with optional flange (F16+F25 or F25) add 5 Kg approximate weight.